

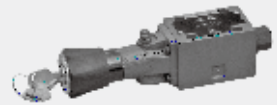


# 4/3, 4/2 and 3/2 directional valve with mechanical, manual operation

21

Type WMD6...L6X

Size 6  
Up to 315 bar  
Up to 60L/min



## Contents

Function and configuration	02
Ordering code	02
Symbols	03
Technical data	03
Characteristic curves	04
Operating limitation	04
Unit dimensions	05

## Features

- Direct operated directional spool valve
- Sub-plate mounting
- Rotary knob with or without lock
- 45 versions standard spool
- Porting pattern conforms to DIN 24 340 form A and ISO 4401

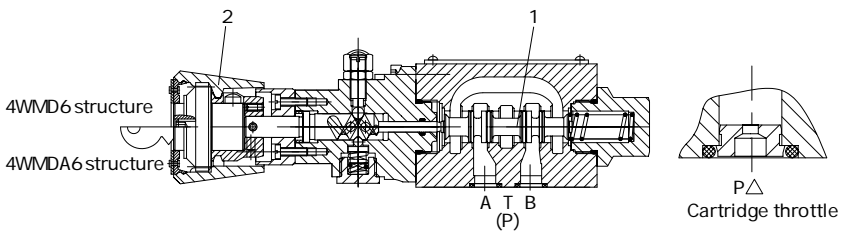
## Function and configurations

Directional valves type WMD... are mechanical, manual operated directional spool valves. They control the start, stop and direction of a flow. The rotary knob (2) operates ( $2 \times 90^\circ$ ) the spool (1), the screw type rotation transforms into axial movement and direct acts on the spool (1). Then the spool (1) moves to the end position and gets the opening position as required. Actual switch position of spool (1) can be controlled with rotary knob (2). All the switch

positions can be orientated by locating device.

### Throttle

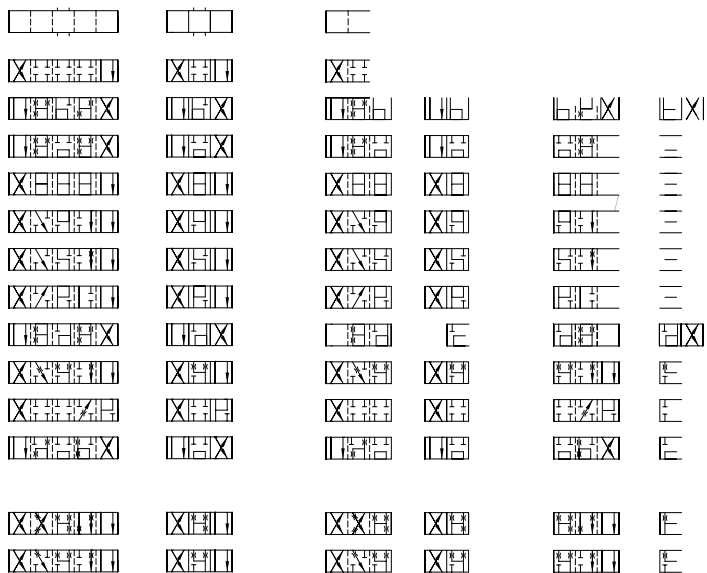
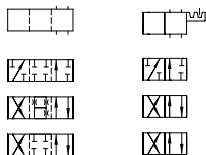
The use of a throttle insert is required, when, operating, flows can occur during the switching processes that exceed the performance limit of the valve. These throttles are to be inserted into the P-channel of the directional valve.



## Ordering code

	WMD	6	-L6X / F		*
3 ways (version A)	=3				Further details in clear text
4 ways	=4				
Rotary knob					No code = NBR seals V = FKM seals
Without lock	=No code				No code = Without cartridge throttle
With lock	= A				B08 = Throttle - 0.8mm B10 = Throttle - 1.0mm B12 = Throttle - 1.2mm
Nominal size 6	=6				F = With detent
Symbols e.g. C, E, EA, EB etc. see below					
Series L60 to L69 (L60 to L69: unchanged installation and connection dimensions)			=L6X		

## Symbols

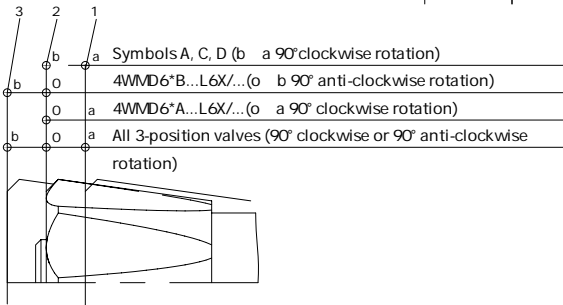
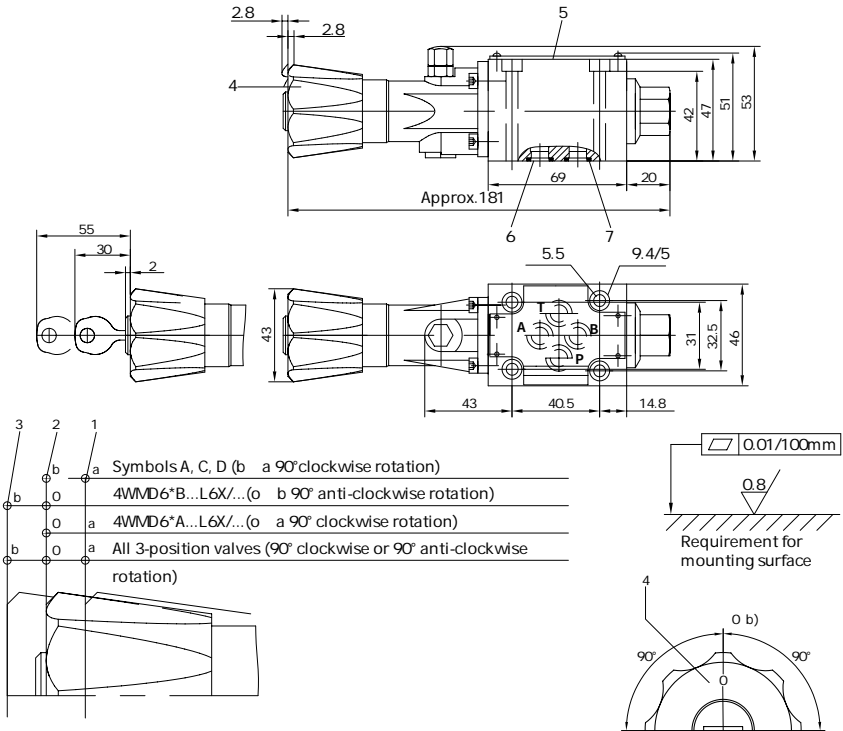


## Technical data



# Unit dimensions

(Dimensions in mm)



### Valve fixing screws:

Internal hexagon screw

M5x 50GB/T 70.1-10.9

Tightening torque  $M_k = 9Nm$

must be ordered separately

**It must be ordered separately, if connection plate is needed.**

**Type:** G 341/01 (G 1/4), G 341/02 (M14x 1.5)

G 342/01 (G 3/8), G 342/02 (M18x 1.5)

G 502/01 (G 1/2), G 502/02 (M22x 1.5)

