



28

### WH6...L6X 型

(NG)6  
315 bar  
60L/min

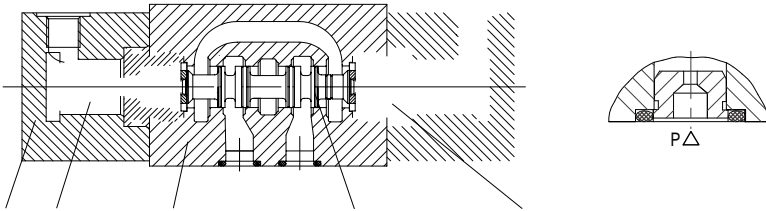


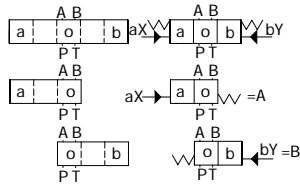
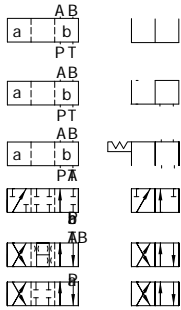
#### 目录

02  
03  
03  
04  
04  
05  
06

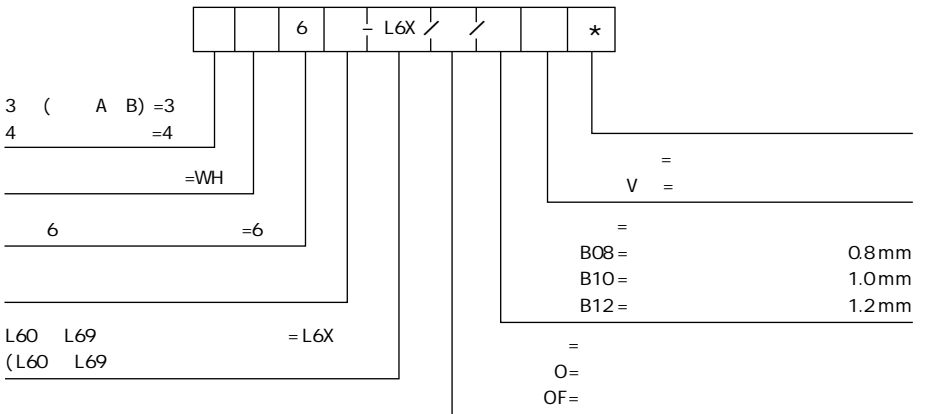
#### 特点

-  
-  
· WH  
-  
- DIN 24340A ISO 4401





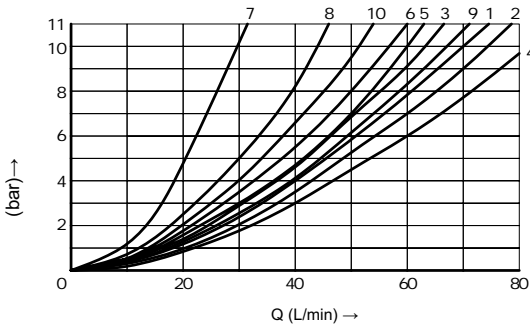
02



02

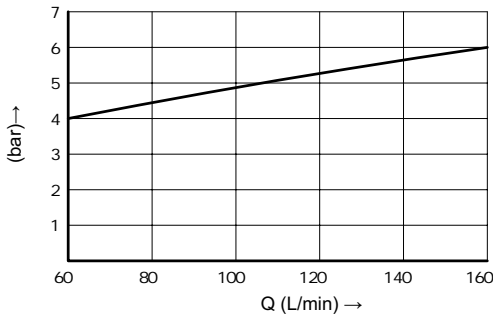
		WH		
		kg	2.0	
		kg	2.2	
			-30 +80( )	
			-20 +80( )	
	A B P	bar	315	
	T	bar	160	
		bar	4	
		bar	10	
		L/min	60	
( )	Q	mm <sup>2</sup>	Q	6%
	W	mm <sup>2</sup>	W	3%
		bar	6 10>	200
		mm <sup>2</sup> /s	2.8 500	
		NAS1638 9		ISO4406 20/18/15

( HLP46 ϕ =40 ± 5 )



7 " R" B A  
 8 " G" " T" P T  
 9 " H" P T

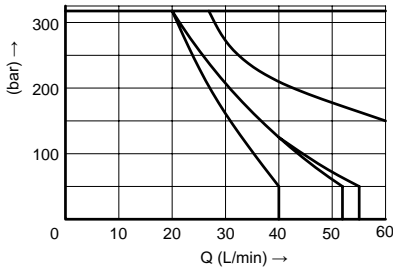
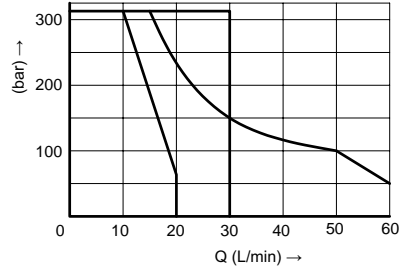
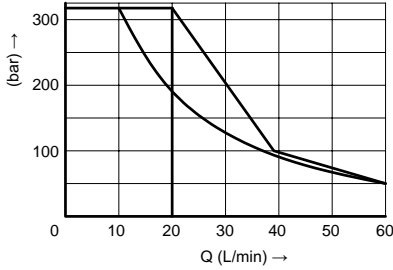
	P	A P	BA	T B	T
AB	3	3	-	-	
C	1	1	3	1	
DY	5	5	3	3	
E	3	3	1	1	
F	1	3	1	1	
T	10	10	9	9	
H	2	4	2	2	
JQ	1	1	2	1	
L	3	3	4	9	
M	2	4	3	3	
P	3	1	1	1	
R	5	5	4	-	
V	1	2	1	1	
W	1	1	2	2	
U	3	3	9	4	
G	6	6	9	9	



( )

25µm

P A B T )  
A B



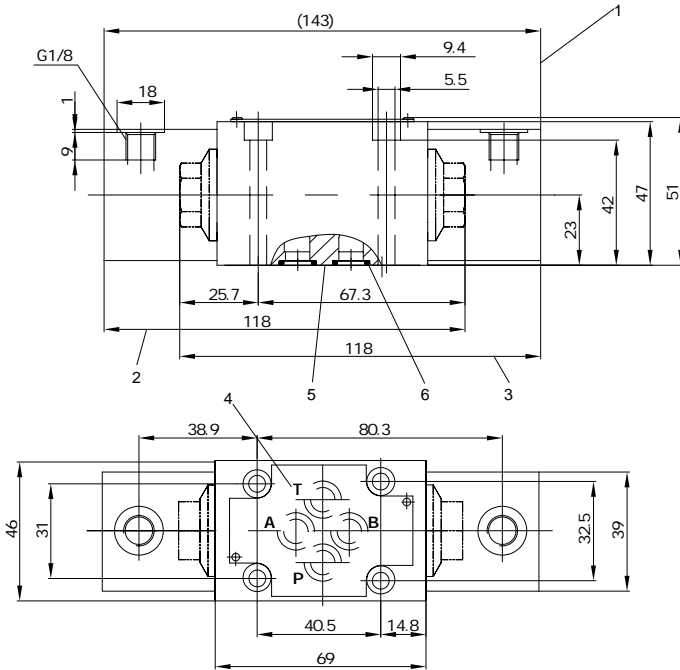
6 bar > T		
	1	A B
	2	C D Y
	3	E J L U M Q V W
	4	F P
	5	T
	6	G H
	7	R
.../OF...	8	A C D
.../O...		

10 bar > T		
	1	A B
	8	C D Y E G H J L U M Q V W
	9	F P
	10	R
	11	T
.../OF...	8	A C D
.../O...		

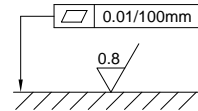
02

( mm)

02

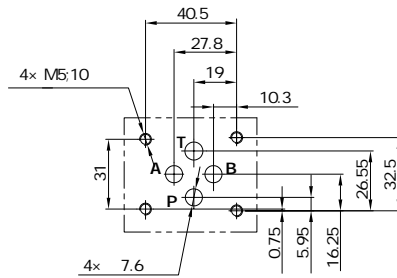


- 1                   \*/O   \*/OF
- 2                   \*A   A C D
- 3                   \*B   B Y
- 4
- 5
- 6 O           9.25× 1.78(    A B P T)



M5× 50  
GB/T70.1-10.9

$M_k=9Nm$



- :
- G341/01(G1/4)   G341/02(M14× 1.5)
  - G342/01(G3/8)   G342/02(M18× 1.5)
  - G502/01(G1/2)   G502/02(M22× 1.5)